



2051 Saturn Street  
Monterey Park, CA 91755  
323.728.7266  
323.728.5304 Fax  
<http://www.tmcpower.com>

# **PARTS CATALOG**

## **PHT35K/PHT3500 HEDGE TRIMMER**

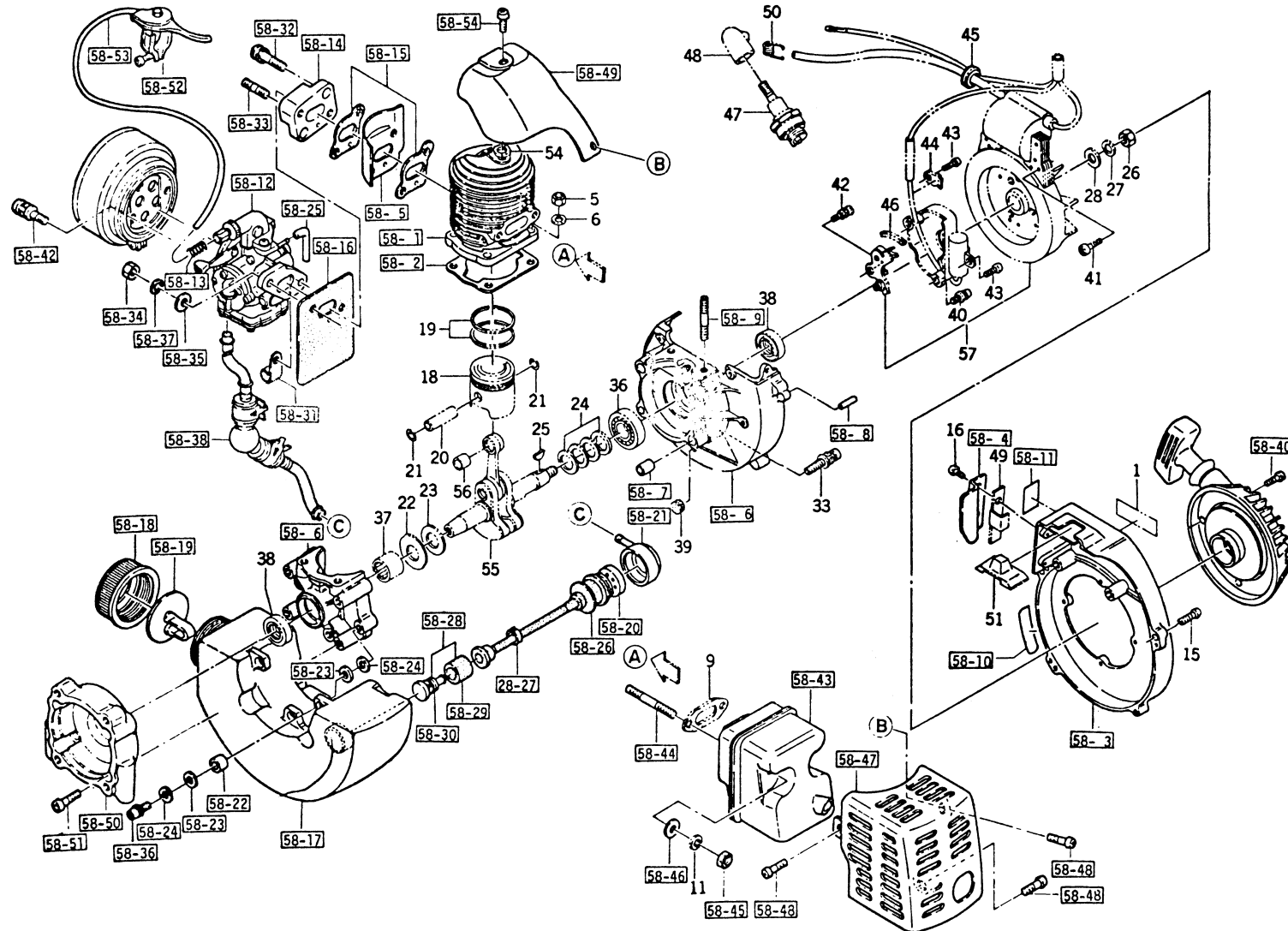
### **ENGINE REFERENCE:**

TZ022D-HF70  
TZ022D-JF71

# PHT35K/PHT3500

TZ022D-HF70 / TZ022D-JF71

ENGINE



# PHT35K/PHT3500

TZ022D-HF70 / TZ022D-JF71

## ENGINE

| REF NO | PART NO   | DESCRIPTION         | QTY | NOTES |
|--------|-----------|---------------------|-----|-------|
| 01     | KT12001   | LABEL-BRAND         | 1   |       |
| 05     | 311B0500  | NUT 5MM             | 4   |       |
| 06     | SW005     | WASHER-SPRING 5MM   | 4   |       |
| 09     | KT12009   | GASKET-MUFFLER      | 1   |       |
| 11     | SW005     | WASHER-SPRING 5MM   | 2   |       |
| 15     | 234B0416  | SCREW 4X16          | 4   |       |
| 16     | 232B0406A | SCREW 4X6           | 1   |       |
| 18     | KT12018   | PISTON              | 1   |       |
| 19     | KT12019   | PISTON RING SET     | 1   |       |
| 20     | KT12020   | PIN-PISTON          | 1   |       |
| 21     | TH23056   | RING-SNAP           | 2   |       |
| 22     | KT12022   | WASHER-SPECIAL A    | 1   |       |
| 23     | KT12023   | WASHER-SPECIAL B    | 1   |       |
| 24     | KT12024   | SHIM A/B/C/D        | A/R |       |
| 25     | KT12025   | KEY                 | 1   |       |
| 26     | 315B0800  | NUT 8MM             | 1   |       |
| 27     | KT12027   | WASHER-SPRING 8MM   | 1   |       |
| 28     | KT12028   | WASHER 8MM          | 1   |       |
| 33     | TD24030   | SCREW 5X30          | 4   |       |
| 36     | KT12036   | BEARING (6001V3)    | 1   |       |
| 37     | KT12037   | BEARING-NEEDLE      | 1   |       |
| 38     | KT12038   | SEAL-OIL            | 2   |       |
| 39     | KT12039   | DAMPER              | 4   |       |
| 40     | 224B0408  | SCREW 4X8           | 1   |       |
| 41     | 234B0420A | SCREW 4X20          | 1   |       |
| 42     | 234B0410  | SCREW 4X10          | 1   |       |
| 43     | 232B0408  | SCREW 4X8           | 2   |       |
| 44     | KT12044   | CLAMP               | 1   |       |
| 45     | KT12045   | GROMMET             | 1   |       |
| 46     | KT12046   | GASKET              | 1   |       |
| 47     | BM7       | SPARK PLUG-NGK      | 1   |       |
| 48     | KT12048   | PLUG CAP ASSY       | 1   |       |
| 49     | KT12049   | CLAMP               | 1   |       |
| 51     | KT12050   | SWITCH-STOP         | 1   |       |
| 54     | KT12054   | GASKET              | 1   |       |
| 55     | KT12055   | CRANKSHAFT ASSY     | 1   |       |
| 56     | KT12056   | BUSHING-SMALL END   | 1   |       |
| 56A    | KT12056A  | BEARING-NEEDLE      | 1   |       |
| 58-01  | KT125801  | CYLINDER (OLD TYPE) | 1   |       |
| 58-02  | KT125802  | GASKET              | 1   |       |
| 58-03  | KT125803  | CASE-FAN            | 1   |       |
| 58-04  | KT125804  | COVER-CYLINDER A    | 1   |       |

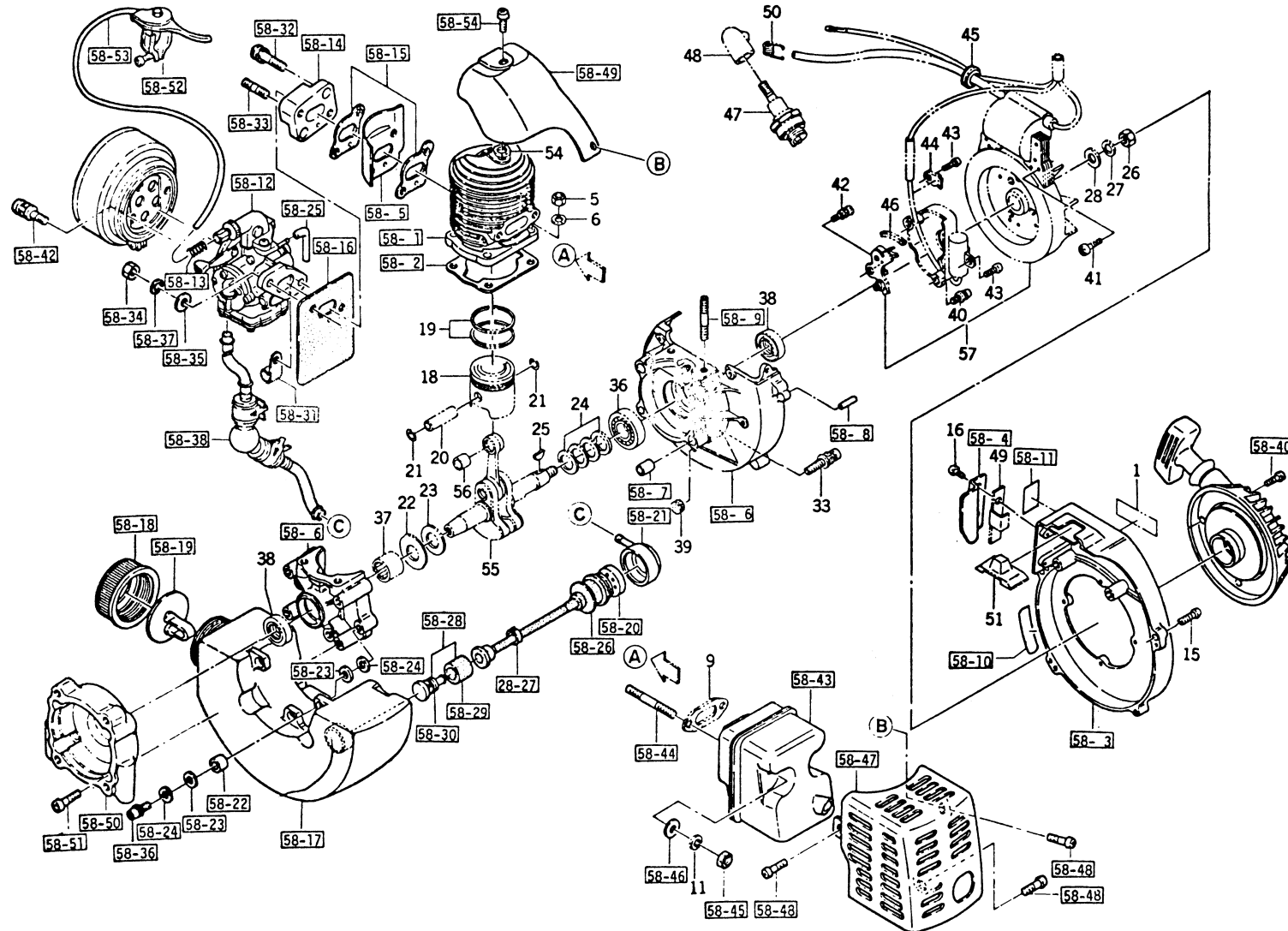
## ENGINE

| REF NO | PART NO     | DESCRIPTION       | QTY | NOTES |
|--------|-------------|-------------------|-----|-------|
| 58-05  | KT125805    | COVER-CYLINDER B  | 1   |       |
| 58-06A | KT125806A   | CRANKCASE (MAG)   | 1   |       |
| 58-06B | KT125806B   | CRANKCASE (DRIVE) | 1   |       |
| 58-07  | KT125807    | PIN-DOWEL         | 1   |       |
| 58-08  | KT125808    | PIN-DOWEL         | 1   |       |
| 58-09  | KT125809    | STUD 5X12         | 4   |       |
| 58-10  | KT125810    | LABEL-MARK        | 1   |       |
| 58-11  | KT125811    | LABEL-H P         | 1   |       |
| 58-12  | KT125812-HT | CARBURETOR ASSY   | 1   |       |
| 58-13  | KT125813    | SPRING            | 1   |       |
| 58-14  | KT125814    | INSULATOR         | 1   |       |
| 58-15  | KT125815    | GASKET            | 2   |       |
| 58-16  | KT125816    | GASKET            | 1   |       |
| 58-17  | KT125817    | TANK-FUEL         | 1   |       |
| 58-18  | KT125818    | CAP-TANK          | 1   |       |
| 58-19  | KT125819    | BREATHER          | 1   |       |
| 58-20  | KT125820    | STRAINER          | 1   |       |
| 58-21  | KT125821    | JOINT             | 1   |       |
| 58-22  | KT125822    | COLLAR            | 2   |       |
| 58-23  | KT125823    | WASHER-BRACKET    | 4   |       |
| 58-24  | KT125824    | WASHER-TANK       | 4   |       |
| 58-25  | KT125825    | TUBE              | 1   |       |
| 58-26  | KT125826    | TUBE-STRAINER     | 1   |       |
| 58-27  | TF22040     | CLAMP             | 1   |       |
| 58-28  | KT125828    | STRAINER ASSY     | 1   |       |
| 58-29  | KT125829    | FILTER-FUEL       | 1   |       |
| 58-30  | KT125830    | WEIGHT            | 1   |       |
| 58-31  | KT125831    | BRACKET           | 1   |       |
| 58-32  | 234B0520    | SCREW 5X20        | 2   |       |
| 58-33  | KT125833    | STUD              | 2   |       |
| 58-34  | 311B0500    | NUT 5MM           | 2   |       |
| 58-35  | 410B0500    | WASHER 5MM        | 2   |       |
| 58-36  | 232B0520A   | SCREW 5X20        | 2   |       |
| 58-37  | SW005       | WASHER-SPRING 5MM | 2   |       |
| 58-38  | KT125838    | PUMP-PRIMING      | 1   |       |
| 58-40  | 232B0412    | SCREW 4X12        | 4   |       |
| 58-42  | 223B0410    | SCREW 4X10        | 2   |       |
| 58-43  | KT125843-HT | MUFFLER           | 1   |       |
| 58-44  | KT125844    | STUD 5X64         | 2   |       |
| 58-45  | 311B0500    | NUT 5MM           | 2   |       |
| 58-46  | 410B0500    | WASHER 5MM        | 2   |       |
| 58-47  | KT125847-HT | COVER-MUFFLER     | 1   |       |

# PHT35K/PHT3500

TZ022D-HF70 / TZ022D-JF71

ENGINE



REV 050913

# PHT35K/PHT3500

TZ022D-HF70 / TZ022D-JF71

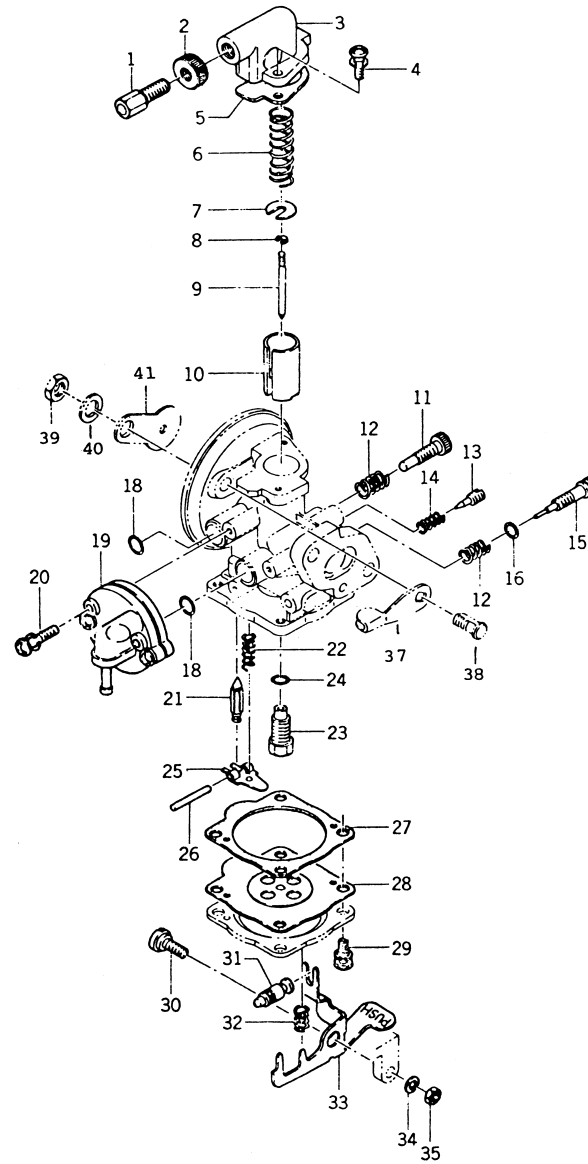
## ENGINE

| <b>REF NO</b> | <b>PART NO</b> | <b>DESCRIPTION</b>       | <b>QTY</b> | <b>NOTES</b> |
|---------------|----------------|--------------------------|------------|--------------|
| 58-48         | 234B0408       | SCREW 4X8                | 4          |              |
| 58-49         | KT125849       | COVER-CYLINDER           | 1          |              |
| 58-50         | KT125850       | ATTACHMENT               | 1          |              |
| 58-51         | 214B0516       | SCREW 5X16               | 4          |              |
| 58-52         | KT125852A-HT   | LEVER-THROTTLE (METAL)   | 1          |              |
| 58-52         | KT125852-HT    | LEVER-THROTTLE (PLASTIC) | 1          |              |
| 58-52A        | 214B0520       | SCREW 5X20               | 1          |              |
| 58-52A        | KT125852-1     | SCREW-THROTTLE LEVER     | 1          |              |
| 58-52B        | KT125852-2     | WAVE WASHER-LEVER        | 1          |              |
| 58-52C        | KT125852A-3    | SPRING-STOPPER           | 1          |              |
| 58-52D        | KT125852A-4    | WASHER-PLASTIC           | 1          |              |
| 58-52E        | KT125852A-5    | COVER                    | 1          |              |
| 58-53         | KT125853-HT    | CABLE-THROTTLE           | 1          |              |
| 58-54         | 241B0410       | SCREW 4X10               | 1          |              |

# PHT35K/PHT3500

CARBIRETOR

TZ022D-HF70 / TZ022D-JF71



# PHT35K/PHT3500

TZ022D-HF70 / TZ022D-JF71

## CARBURETOR

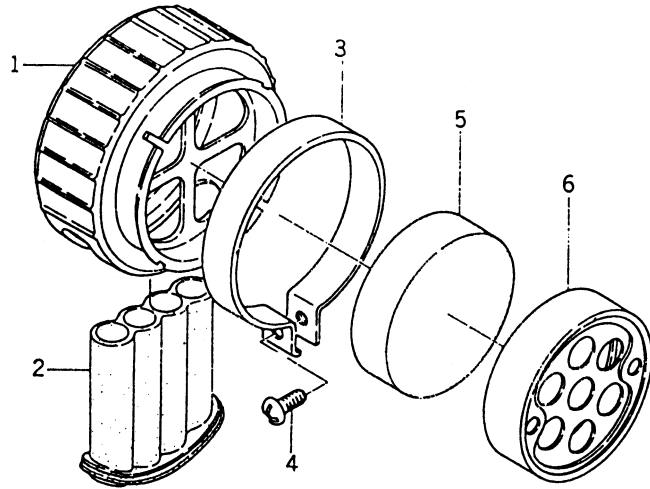
| REF NO | PART NO     | DESCRIPTION     | QTY | NOTES |
|--------|-------------|-----------------|-----|-------|
|        | KT125812-HT | CARBURETOR ASSY | 1   |       |
| 01     | KT12C01     | ADJUSTER-CABLE  | 1   |       |
| 02     | KT12C02     | NUT-LOCK        | 1   |       |
| 03     | KT12C03     | CAP-BODY        | 1   |       |
| 04     | TD33052-22  | SCREW 3X10      | 2   |       |
| 05     | KT12C05     | GASKET          | 1   |       |
| 06     | KT12C06     | SPRING-THROTTLE | 1   |       |
| 07     | KT12C07     | RETAINER-SPRING | 1   |       |
| 08     | KT12C08     | E-RING          | 1   |       |
| 09     | KT12C09     | NEEDLE-JET #061 | 1   |       |
| 10     | KT12C10     | VALVE-THROTTLE  | 1   |       |
| 11     | KT12C11     | SCREW-SLOW STOP | 1   |       |
| 12     | KT12C12     | SPRING          | 2   |       |
| 13     | KT12C13     | SCREW-ADJUST    | 1   |       |
| 14     | KT12C14     | SPRING          | 1   |       |
| 15     | KT12C15     | SCREW-ADJUST    | 1   |       |
| 16     | KT12C16     | O-RING          | 1   |       |
| 18     | KT12C18     | GASKET          | 2   |       |
| 19     | KT12C19     | FUEL PUMP ASSY  | 1   |       |
| 19A    | KT12C19A    | DIAPHRAGM-PUMP  | 1   |       |
| 19B    | KT12C19B    | GASKET-PUMP     | 1   |       |
| 20     | TF22074     | SCREW           | 2   |       |

## CARBURETOR

| REF NO | PART NO    | DESCRIPTION       | QTY | NOTES |
|--------|------------|-------------------|-----|-------|
| 21     | KT12C21    | VALVE-NEEDLE      | 1   |       |
| 22     | KT12C22    | SPRING-VALVE      | 1   |       |
| 23     | KT12C23    | JET-NEEDLE        | 1   |       |
| 24     | KT12C24    | O-RING            | 1   |       |
| 25     | KT12C25    | LEVER-CONTROL     | 1   |       |
| 26     | KT12C26    | PIN-FLOAT         | 1   |       |
| 27     | KT12C27    | GASKET-DIAPHRAGM  | 1   |       |
| 28     | KT12C28    | DIAPHRAGM         | 1   |       |
| 29     | TD33052-21 | SCREW 3X8         | 4   |       |
| 30     | KT12C30    | SCREW             | 1   |       |
| 31     | KT12C31    | VALVE-BREATHER    | 1   |       |
| 32     | KT12C32    | SPRING-TICKLER    | 1   |       |
| 33     | KT12C33    | LEVER-TICKLER     | 1   |       |
| 34     | 461F0400   | WASHER-SPRING 4MM | 1   |       |
| 35     | 311B0400   | NUT 4MM           | 1   |       |
| 37     | KT12C37    | LEVER-CHOKE       | 1   |       |
| 38     | KT12C38    | BOLT-CHOKE        | 1   |       |
| 39     | KT12C39    | NUT-CHOKE         | 1   |       |
| 40     | KT12C40    | WASHER-CHOKE      | 1   |       |
| 41     | KT12C41    | PLATE-CHOKE       | 1   |       |
| CRK    | KT12CRK    | CARBURETOR KIT    | 1   |       |

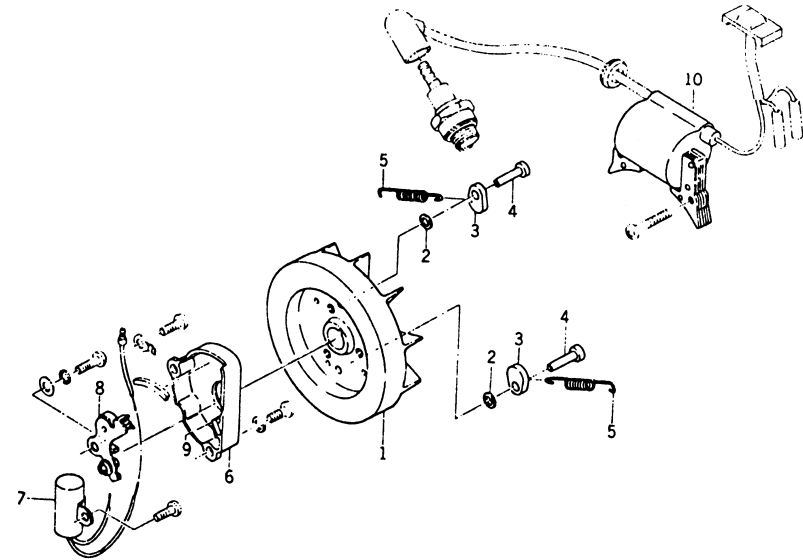
# PHT35K/PHT3500

TZ022D-HF70 / TZ022D-JF71



## AIR FILTER

| REF NO | PART NO  | DESCRIPTION      | QTY | NOTES |
|--------|----------|------------------|-----|-------|
|        | KT125841 | AIR CLEANER ASSY | 1   |       |
| 01     | KT12A01  | CAP-AIR CLEANER  | 1   |       |
| 02     | KT12A02  | DUCT-AIR         | 1   |       |
| 03     | KT12A03  | BAND             | 1   |       |
| 04     | 232B0518 | SCREW 5X18       | 1   |       |
| 05     | KT12A05  | ELEMENT          | 1   |       |
| 06     | KT12A06  | CASE-AIR CLEANER | 1   |       |



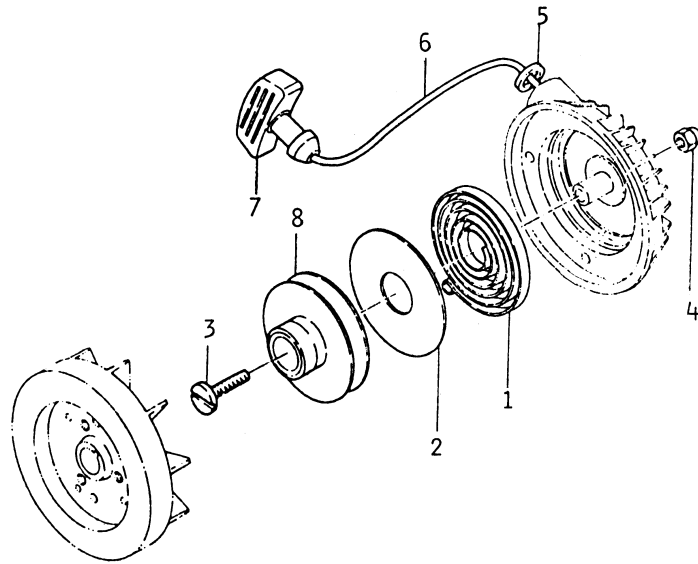
## ELECTRICAL EQUIPMENT

| REF NO | PART NO   | DESCRIPTION                 | QTY | NOTES |
|--------|-----------|-----------------------------|-----|-------|
| 01     | KT12M01   | FLYWHEEL                    | 1   |       |
| 01A    | KT12M01A  | FLYWHEEL (NEW)              | 1   |       |
| 01B    | KT12M01B  | FLYWHEEL (NEW FOR CDI)      | 1   |       |
| 02     | KT12M02   | WASHER-SPECIAL              | 2   |       |
| 03     | KT12M03   | PAWL                        | 2   |       |
| 04     | KT12M04   | PIN-PAWL                    | 2   |       |
| 05     | KT12M05   | SPRING-PAWL                 | 2   |       |
| 06     | KT12M06   | COVER                       | 1   |       |
| 07     | KT12M07   | CONDENSER                   | 1   |       |
| 08     | KT12M08   | BREAKER                     | 1   |       |
| 09     | KT12M09   | FELT-CAM                    | 1   |       |
| 10     | KT12M010  | COIL-IGNITION               | 1   |       |
| 10B    | KT12M010B | COIL-IGNITION (NEW FOR CDI) | 1   |       |
| 11B    | KT12M011B | IGNITER-FLAT TERMINAL       | 1   |       |
| 13B    | KT12M013B | WIRE-LEAD                   | 1   |       |



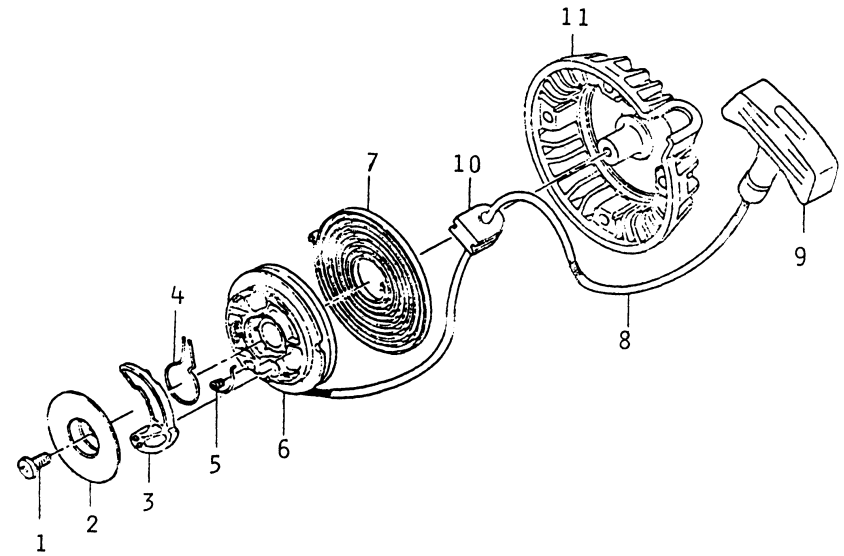
# PHT35K/PHT3500

TZ022D-HF70 / TZ022D-JF71



## STARTER (OLD)

| REF NO | PART NO  | DESCRIPTION       | QTY | NOTES |
|--------|----------|-------------------|-----|-------|
|        | KT125839 | RECOIL ASSY (OLD) | 1   |       |
| 01     | KT12R01  | SPRING-RECOIL     | 1   |       |
| 02     | KT12R02  | PLATE             | 1   |       |
| 03     | KT12R03  | SCREW             | 1   |       |
| 04     | CN005    | NUT-CAP           | 1   |       |
| 05     | KT12R05  | GUIDE-ROPE        | 1   |       |
| 06     | KT12R06  | ROPE              | 1   |       |
| 07     | KT12R07  | GRIP              | 1   |       |
| 08     | KT12R08  | REEL-RECOIL       | 1   |       |
| 09     | KT12R09  | CASE-RECOIL       | 1   |       |



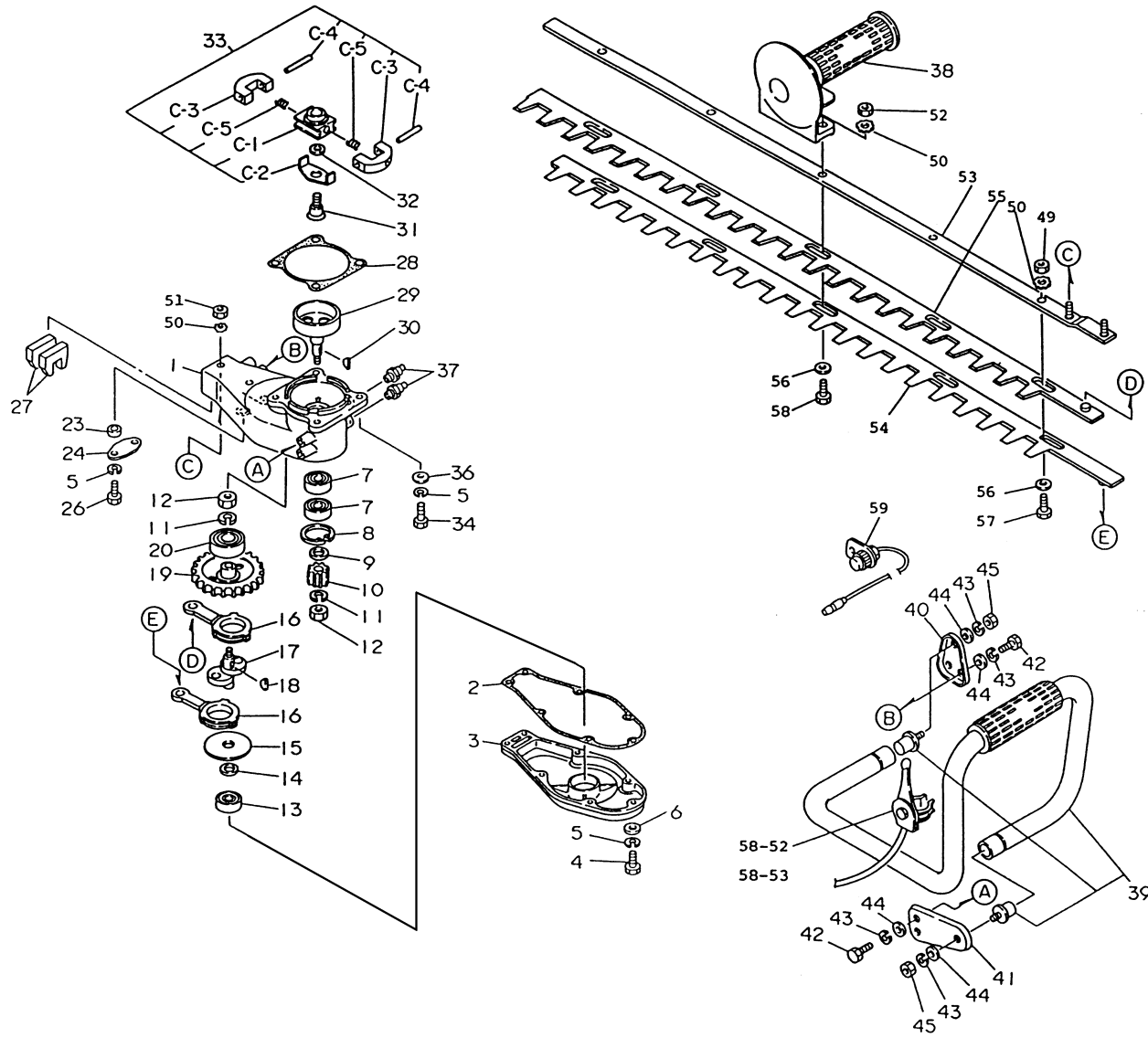
## STARTER (NEW)

| REF NO | PART NO    | DESCRIPTION   | QTY | NOTES |
|--------|------------|---------------|-----|-------|
|        | TF22080    | RECOIL ASSY   | 1   |       |
| 01     | KT12R01A   | SCREW         | 1   |       |
| 02     | KT12R02A   | RETAINER      | 1   |       |
| 03     | KT12R03A   | PAWL          | 1   |       |
| 04     | KT12R04A   | SPRING        | 1   |       |
| 05     | KT12R05A   | SPRING-RETURN | 1   |       |
| 06     | KT12R06A   | REEL          | 1   |       |
| 07     | TF22080-07 | SPRING-RECOIL | 1   |       |
| 08     | KT12R08A   | ROPE          | 1   |       |
| 09     | KT12R09A   | HANDLE        | 1   |       |
| 10     | KT12R10    | GUIDE-ROPE    | 1   |       |
| 11     | KT12R11    | CASE-RECOIL   | 1   |       |

# PHT35K/PHT3500

TZ022D-HF70 / TZ022D-JF71

BODY



# PHT35K/PHT3500

TZ022D-HF70 / TZ022D-JF71

## BODY

| REF NO | PART NO | DESCRIPTION         | QTY | NOTES |
|--------|---------|---------------------|-----|-------|
| 01     | P35001  | GEAR CASE           | 1   |       |
| 02     | P35002  | PACKING-GEAR CASE   | 1   |       |
| 03     | P35003  | COVER-GEAR CASE     | 1   |       |
| 04     | B05X22  | BOLT 5X22           | 7   |       |
| 05     | SW005   | WASHER-SPRING 5MM   | 13  |       |
| 06     | SFW005  | WASHER 5MM          | 11  |       |
| 07     | P35007  | BEARING (6001ZZ)    | 2   |       |
| 08     | P35008  | RING-SNAP #28       | 1   |       |
| 09     | P35009  | WASHER-PINION       | 1   |       |
| 10     | P35010  | PINION              | 1   |       |
| 11     | SW008   | WASHER-SPRING 8MM   | 2   |       |
| 12     | HN008   | NUT 8MM             | 2   |       |
| 13     | PW23037 | BEARING (6000)      | 1   |       |
| 14     | P35014  | WASHER-BEARING      | 1   |       |
| 15     | P35015  | SPACER-DISC         | 1   |       |
| 16     | P35016B | CAM ROD             | 2   |       |
| 17     | P35017  | CAM BOSS            | 1   |       |
| 18     | P35018  | KEY                 | 1   |       |
| 19     | P35019  | GEAR-REDUCTION      | 1   |       |
| 20     | P35020  | BEARING (6003)      | 1   |       |
| 23     | P35023  | COLLAR              | 2   |       |
| 24     | P35024  | PLATE               | 1   |       |
| 26     | B05X14  | BOLT 5X14           | 2   |       |
| 27     | P35027  | SEAL-GREASE A       | 2   |       |
| 28     | P35028  | PACKING-CLUTCH CASE | 1   |       |
| 29     | P35029A | DRUM-CLUTCH (NEW)   | 1   |       |
| 30     | P35030  | KEY                 | 1   |       |
| 31     | P35031  | SCREW-CLUTCH        | 1   |       |
| 32     | SFW006  | WASHER 6MM          | 1   |       |
| 33     | P35033  | CLUTCH ASSY         | 1   |       |

## BODY

| REF NO | PART NO   | DESCRIPTION             | QTY | NOTES |
|--------|-----------|-------------------------|-----|-------|
| 33-C1  | P35033-01 | BOSS-CLUTCH             | 1   |       |
| 33-C2  | P35033-02 | PLATE-CLUTCH            | 1   |       |
| 33-C3  | P35033-03 | SHOE-CLUTCH             | 2   |       |
| 33-C4  | P35033-04 | PIN-CLUTCH              | 2   |       |
| 33-C5  | P35033-05 | SPRING-CLUTCH           | 2   |       |
| 34     | B05X14    | BOLT 5X14               | 4   |       |
| 37     | P35037    | NIPPLE-GREASE           | 2   |       |
| 37A    | P35035    | PLUG-ZIRK FITTING       |     |       |
| 38     | P35038    | HANDLE-RIGHT            | 1   |       |
| 39     | P35039A   | HANDLE-LEFT             | 1   |       |
| 40     | P35040    | BRACKET-HANDLE FRONT    | 1   |       |
| 41     | P35041    | BRACKET-HANDLE REAR     | 1   |       |
| 42     | B06X14    | BOLT 6X14               | 4   |       |
| 43     | SW006     | WASHER-SPRING 6MM       | 6   |       |
| 44     | FW006     | WASHER 6MM              | 6   |       |
| 45     | 311B0600  | NUT 6MM                 | 2   |       |
| 49     | P25051    | NUT-JAM 1/4X28          | 4   |       |
| 50     | P25046    | WASHER-SHOCKPROOF       | 8   |       |
| 51     | P25045    | NUT 1/4X20              | 2   |       |
| 52     | P25054    | NUT-CROWN 1/4X28        | 2   |       |
| 53     | P35053A   | BACK UP BAR             | 1   |       |
| 53-1   | P35053A-1 | SUPPORT-BACK UP BAR     | 1   |       |
| 54     | PHT-234   | BLADE-LOWER             | 1   |       |
| 55     | PHT-235   | BLADE-UPPER             | 1   |       |
| 56     | P25049    | WASHER-BLADE (BLACK)    | 5   |       |
| 57     | P25048    | BOLT-BLADE SHORT        | 4   |       |
| 58     | P25053B   | BOLT-LONG (FULL THREAD) | 1   |       |
| 59     | P35054    | STOP BUTTON W/BRACKET   | 1   |       |
| CVR    | PHT-250   | COVER-BLADE             | 1   |       |